

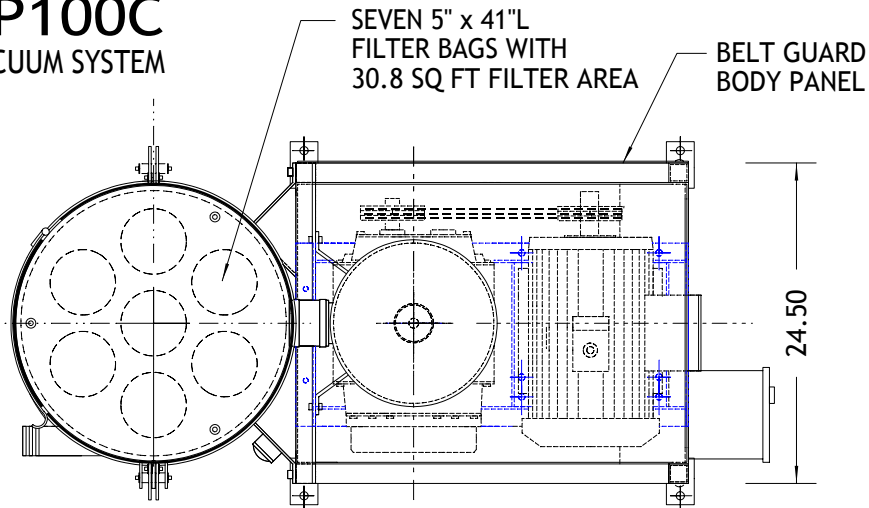
MODEL DVP100C

10 HP P.D. CENTRAL VACUUM SYSTEM

LARGE, EASY ACCESS
FILTER SERVICE DOOR

SUPER EFFICIENT
FILTRATION

FILTER CONDITION
INDICATOR GAUGE



SPECIFICATIONS:

- 10 HP TEFC MOTOR (VOLTAGE TO SUIT)
- 260 ICFM @ 12" Hg. (168" WG)
- 22.8 SF INLINE FILTER
- 85 dBa @ 3FT NOISE LEVEL
- 18.3 US GAL. DIRT CAPACITY
- 30.8 SF P84 FILTER BAGS
- 99.997% @ 0.4 MICRON EFFICIENT
- WEIGHT 745 LBS

INTERNAL MANUAL
FILTER BAG
SHAKER

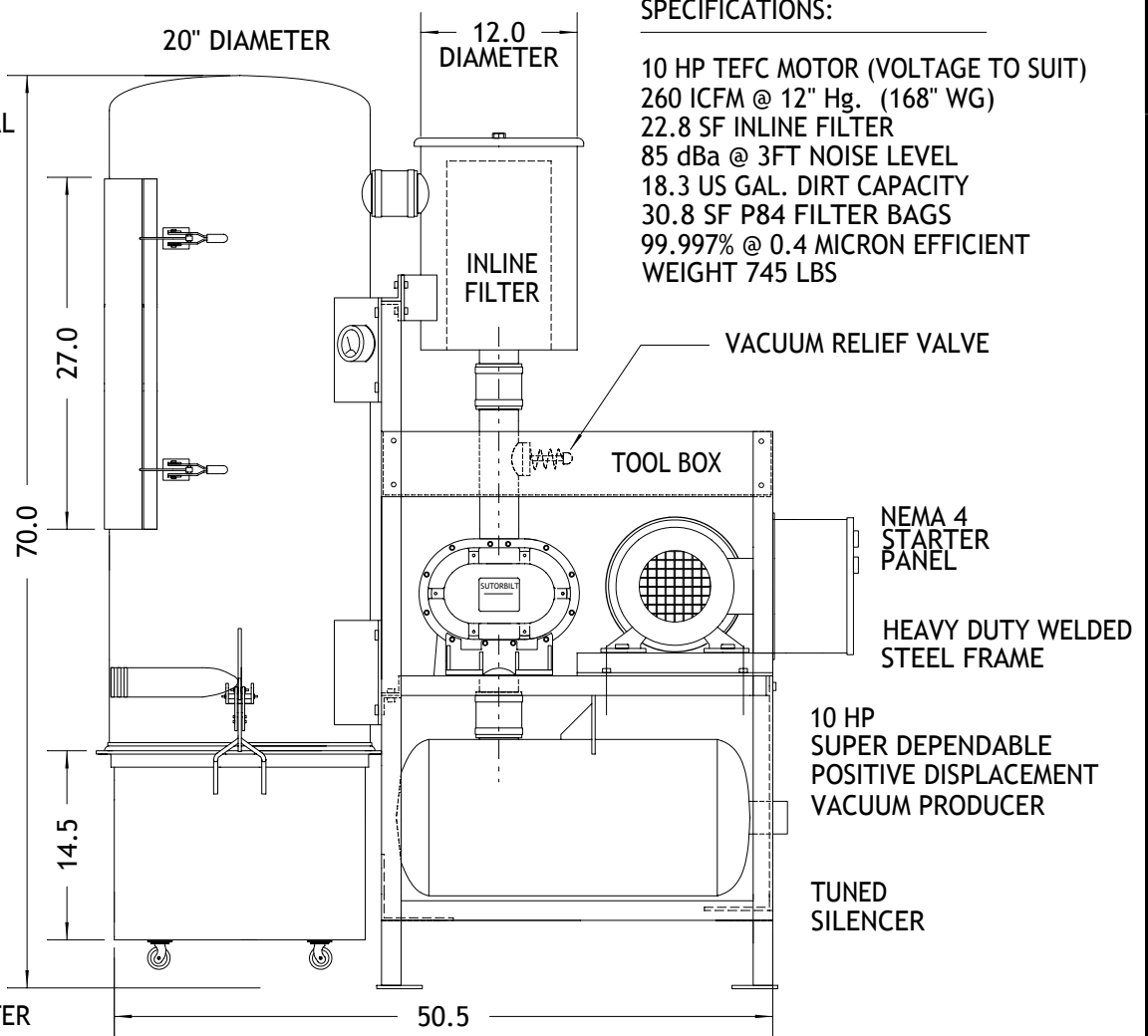
INLINE
FILTER
WITH
CONDITION
INDICATOR

OVERHEAD
CRANE LIFT
LUGS

2" NPT
INLET WITH
INTERNAL
WEAR STRIP

18.3 US GAL
STORAGE DRUM

HEAVY DUTY
MECHANICAL LIFTER



C:\CAD\DWG\SIDV\20PD_DWGS\IDVP100C.DWG KRW MAR 02

			DATE:	MAR 02	NORTHWIND AIR SYSTEMS BRAMPTON, ONTARIO	
			DRAWN BY:	KRW		
1			SCALE:	N.T.S.	DuroVac DVP100C	
0	MAR 02	ISSUED FOR REVIEW	DRAWING No.	Rev.		CONTINUOUS DUTY 10 HP VACUUM
No.	DATE	REVISIONS	QVD2003057	00		