

MODEL DVP75L

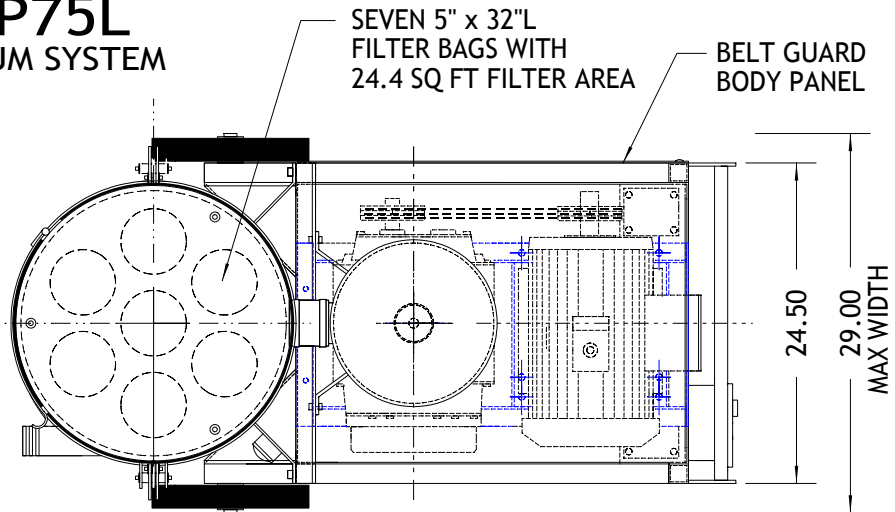
7.5 HP P.D. VACUUM SYSTEM

LARGE, EASY ACCESS
FILTER SERVICE DOOR

SUPER EFFICIENT
FILTRATION

FILTER CONDITION
INDICATOR GAUGE

12" BALL BEARING
WHEELS



SPECIFICATIONS:

7.5 HP TEFC MOTOR (VOLTAGE TO SUIT)
170 ICFM @ 12" Hg. (168" WG)
22.8 SF INLINE FILTER
82 dBa @ 3FT NOISE LEVEL
29.2 US GAL. DIRT CAPACITY
24.4 SF P84 FILTER BAGS
99.997% @ 0.4 MICRON EFFICIENT
WEIGHT 720 LBS

INTERNAL MANUAL
FILTER BAG
SHAKER

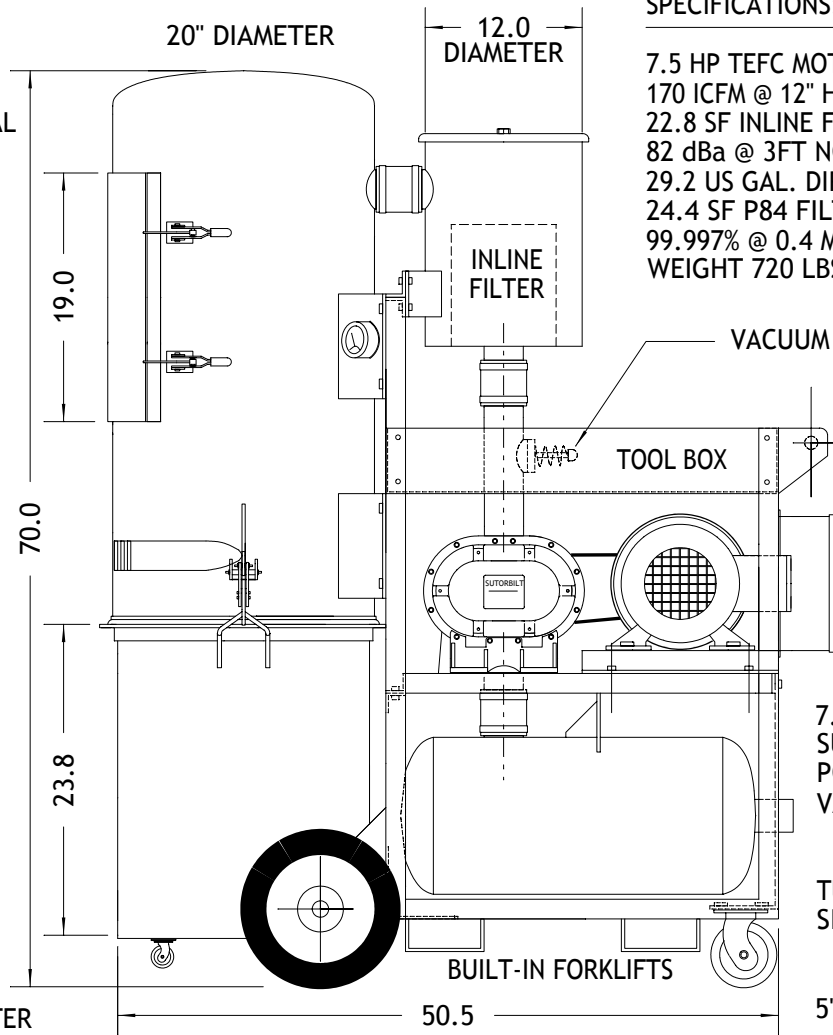
INLINE
FILTER
WITH
CONDITION
INDICATOR

OVERHEAD
CRANE LIFT
LUGS

2" NPT
INLET WITH
INTERNAL
WEAR STRIP

29.2 US GAL
STORAGE DRUM
ON CASTERS

HEAVY DUTY
MECHANICAL LIFTER



VACUUM RELIEF VALVE

1" DIAM.
PUSH HANDLE

NEMA 4
STARTER
PANEL

HEAVY DUTY WELDED
STEEL FRAME

7.5 HP
SUPER DEPENDABLE
POSITIVE DISPLACEMENT
VACUUM PRODUCER

TUNED
SILENCER

5" SWIVEL CASTERS

C:\CAD\DWGS\DXF\20PD_DWGS\DVP75L.DWG KRW JUL 00

			DATE:	JUL 2000	NORTHWIND AIR SYSTEMS BRAMPTON, ONTARIO
			DRAWN BY:	KRW	
1			SCALE:	N.T.S.	DuroVac CONTINUOUS DUTY DVP75L 7.5 HP VACUUM
0	JUL 00	ISSUED FOR REVIEW	DRAWING No.	Rev.	
No.	DATE	REVISIONS	D2003065	00	