

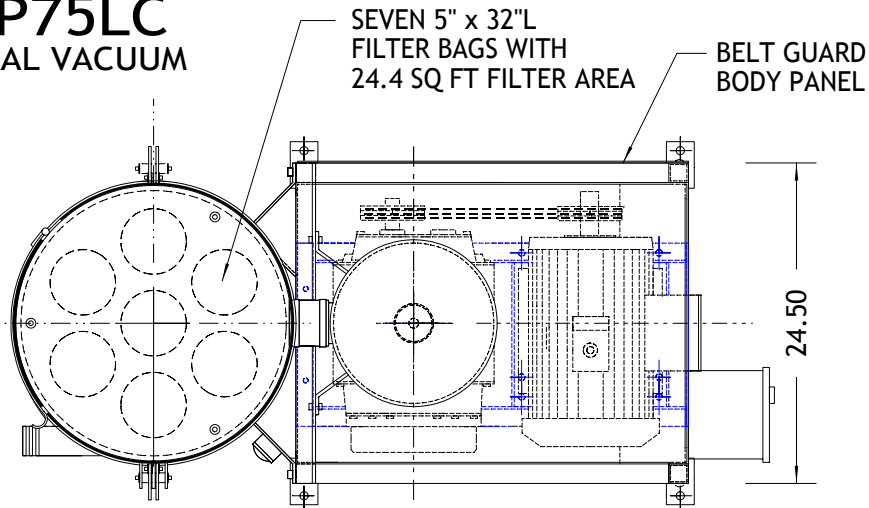
# MODEL DVP75LC

## 7.5 HP P.D. CENTRAL VACUUM

LARGE, EASY ACCESS  
FILTER SERVICE DOOR

SUPER EFFICIENT  
FILTRATION

FILTER CONDITION  
INDICATOR GAUGE



### SPECIFICATIONS:

7.5 HP TEFC MOTOR (VOLTAGE TO SUIT)  
170 ICFM @ 12" Hg. (168" WG)  
22.8 SF INLINE FILTER  
82 dBa @ 3FT NOISE LEVEL  
29.2 US GAL. DIRT CAPACITY  
24.4 SF P84 FILTER BAGS  
99.997% @ 0.4 MICRON EFFICIENT  
WEIGHT 720 LBS

INTERNAL MANUAL  
FILTER BAG  
SHAKER

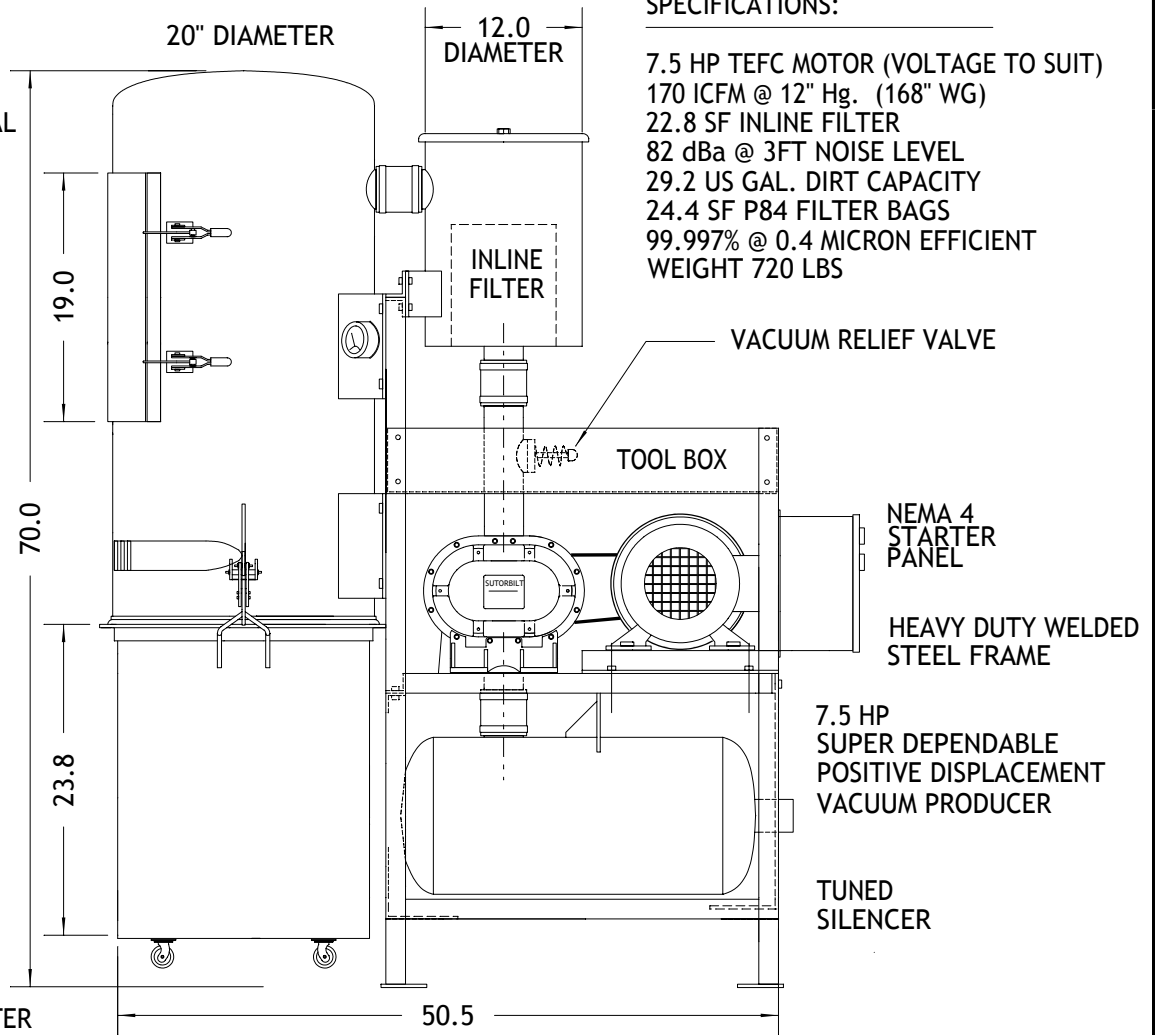
INLINE  
FILTER  
WITH  
CONDITION  
INDICATOR

OVERHEAD  
CRANE LIFT  
LUGS

2" NPT  
INLET WITH  
INTERNAL  
WEAR STRIP

29.2 US GAL  
STORAGE DRUM  
ON CASTERS

HEAVY DUTY  
MECHANICAL LIFTER



C:\CAD\DWGSDVX\20PD\_DWGS\DVP75LC.DWG KRW MAR 02

			DATE:	MAR 02	NORTHWIND AIR SYSTEMS BRAMPTON, ONTARIO
			DRAWN BY:	KRW	
1			SCALE:	N.T.S.	<b>DuroVac</b> <b>DVP75LC</b> CONTINUOUS DUTY 7.5 HP VACUUM
0	MAR 02	ISSUED FOR REVIEW	DRAWING No.	Rev.	
No.	DATE	REVISIONS	<b>D2003066</b>	<b>00</b>	