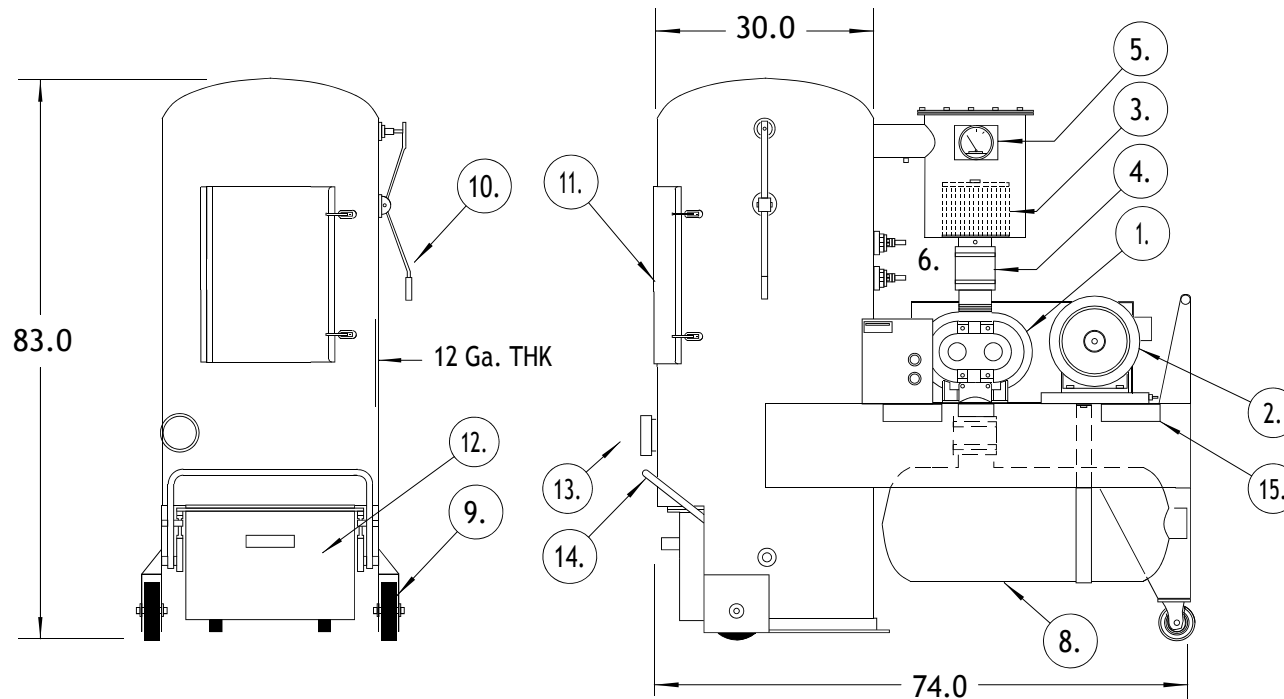
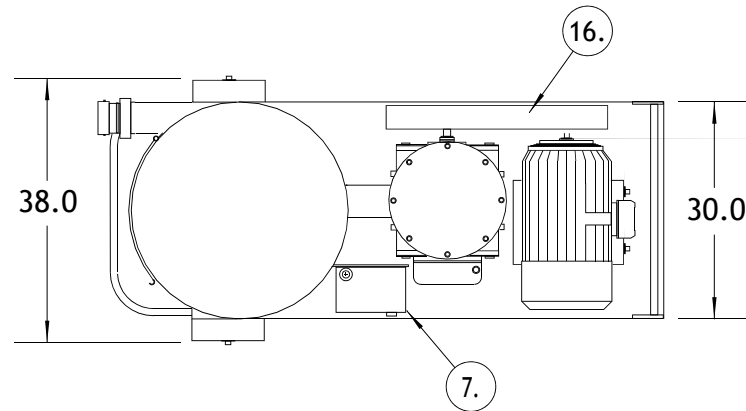


FEATURES:

- HUGE 66 SQ FT FILTER HANDLES ULTRA-FINE DUST
- MOBILE PLATFORM OR HOOK UP AS A CENTRAL VAC
- SUPER QUIET! JUST 87 dBa
- CONTINUOUS DUTY BLOWER
- 500 ACFM @ 12" Hg.



FOR APPROVAL CERTIFIED

PROJECT:

- LEGEND:
1. SUTORBILT 5LP P.D. BLOWER
 2. 20 HP MOTOR, VOLTAGE TO SUIT
 3. INLINE FILTER PROTECTS AGAINST MAIN FILTER DUST LEAKS
 4. VIBRATION SLEEVE
 5. FILTER CONDITION INDICATOR
 6. VACUUM RELIEF VALVES
 7. NEMA 12 STARTER C/W 50 FT CORD
 8. OVERSIZE EXHAUST SILENCER
 9. EXTRA HEAVY-DUTY 10" CASTERS
 10. EXTERNAL BAG SHAKER HANDLE
 11. EASY ACCESS SERVICE DOOR
 12. 4.0 CU FT DIRT CAN ON WHEELS
 13. 4.0" INLET
 14. DIRT CAN HANDLE
 15. 6" x 3" FORKLIFT CHANNELS
 16. BELT GUARD

16/05/00	ISSUED FOR REVIEW	KW
DATE	PARTICULARS	BY

NORTHWIND AIR SYSTEMS
BRAMPTON, ONTARIO

20 Hp DuroVac

SCALE:	NONE	PAGE	1 OF 1
DRAWING No.	D203068	Rev.	00