

PROJECT:

FOR APPROVAL

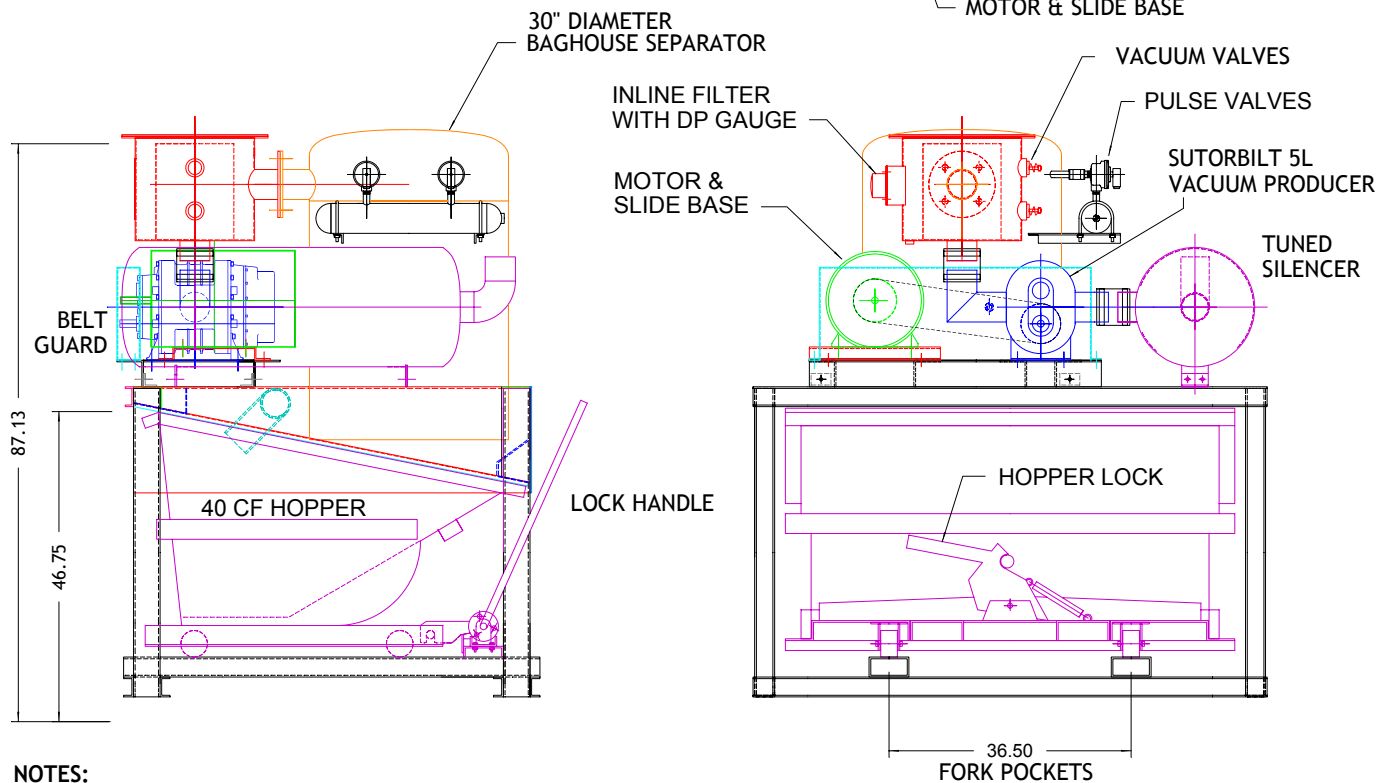
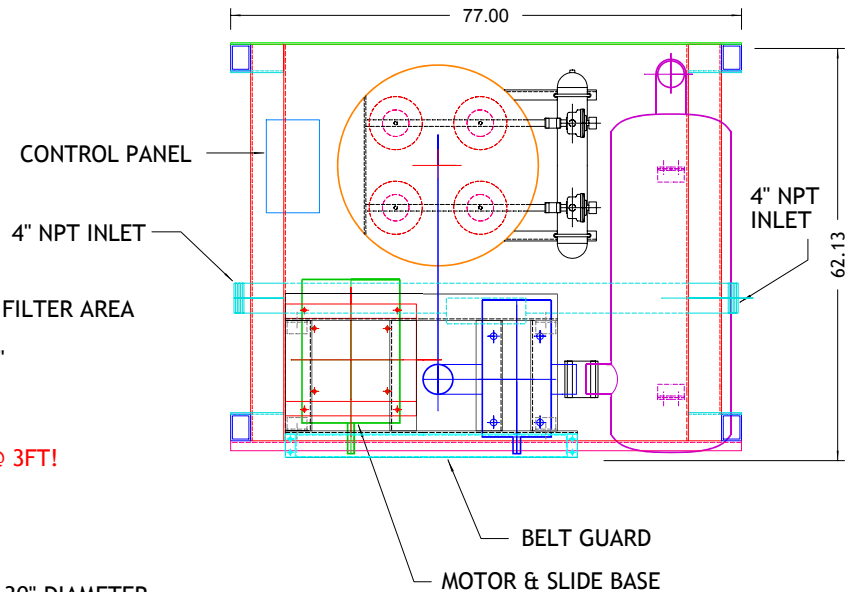
CERTIFIED

DUROVAC MODEL PL20p PORTABLE VACUUM SYSTEM

STANDARD FEATURES:

1. 500 ICFM @ 12" Hg. CONTINUOUS
2. SUTORBILT 5L VACUUM PRODUCER
3. 20 HP LEESON MOTOR
4. FOUR (4) CARTRIDGES WITH TOTAL 244 SF FILTER AREA
5. **99.9% AT 1.0 MICRON, STANDARD**
6. AUTOMATIC PULSE CLEANING "ON DEMAND"
7. 35.5 SF INLINE FILTER, STANDARD
8. 40 CF MATERIAL STORAGE
9. SILO TYPE, ABRASION RESISTANT INLET
10. **CUSTOM TUNED SILENCER, UNDER 85 DBA @ 3FT!**

FOUR (4) CARTRIDGE FILTERS
244 SQ FT SURFACE AREA



NOTES:

1. SUITABLE FOR WET AND DRY PICKUP
2. EXPECT 110 - 130 LBS/MIN PICKUP WITH 2.5" HOSE 25 FT LONG
3. WILL SUPPORT A FIXED PIPE NETWORK UP TO 400 FT LONG WITHOUT MODIFICATION
4. PAINTED PRIME BASE COAT AND TWO TOP COATS OF ENAMEL

**WARNING: VACUUM PRODUCERS THAT CLAIM TO ACHIEVE 18" Hg. CAN *NOT* MAINTAIN VACUUM AT THAT LEVEL WITHOUT OVERHEATING!
ENSURE YOU ASK FOR A WRITTEN PERFORMANCE GUARANTY THAT SPECIFIES 1 HOUR SEALED RUN TIME**

NORTHWIND AIR SYSTEMS
BRAMPTON, ON 888-330-3365

01		
00	10 DEC 02	FOR REVIEW
Rev.	Date	

DATE:	
DRAWN BY:	KRW
SCALE:	NTS

DRAWING No.	Rev.
ND2002171	00
PAGE 1 OF 1	