

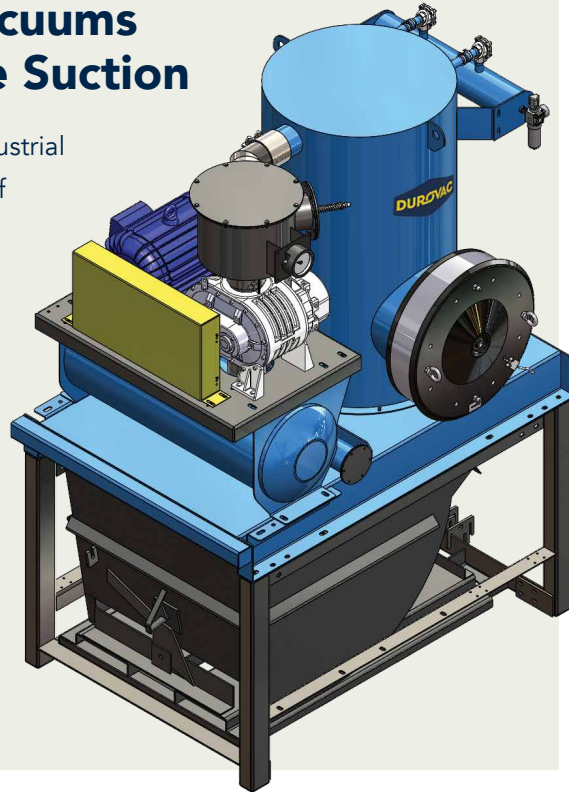
Portable Vacuum Systems

POWERLIFT™ SERIES

Industrial Vacuums with Massive Suction

The Powerlift line of industrial vacuums is composed of two main sub-series. The 'PL' series and the 'EL' Series.

Both series offer huge suction with astonishingly small footprints and are designed for easy material disposal or reclamation.

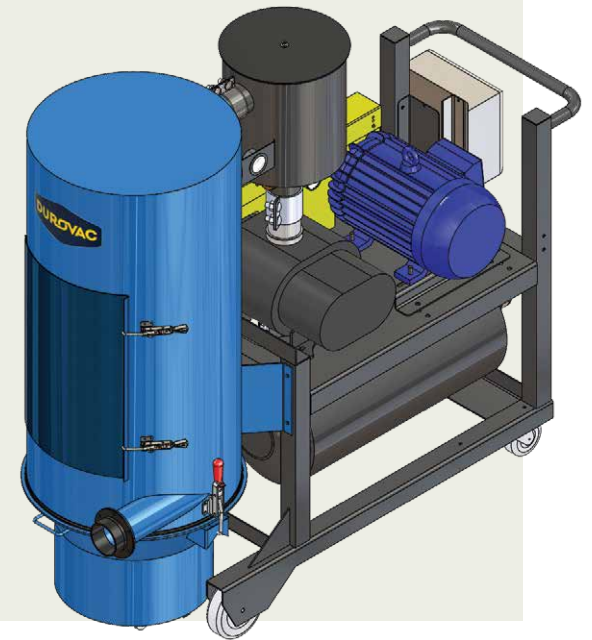


LIGHTNING™ SERIES

Powerful Portable Industrial Vacuums

The Lightning line of industrial vacuums is composed of two main models: DVR Portable and DVP Portable.

Both offer super-efficient filtration so there is never a drop in performance as the canisters fill. This means less production down-time for your plant.



“ We use the PL753P to clean up everything from light dust to heavier compacted product, and even lumpy material. ”

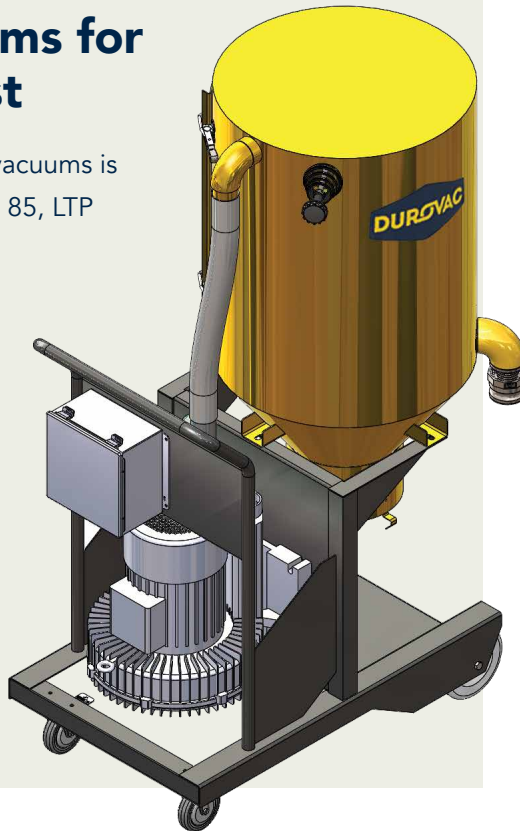
Robin Anderson, Mosaic Potash

LIFETIME™ SERIES

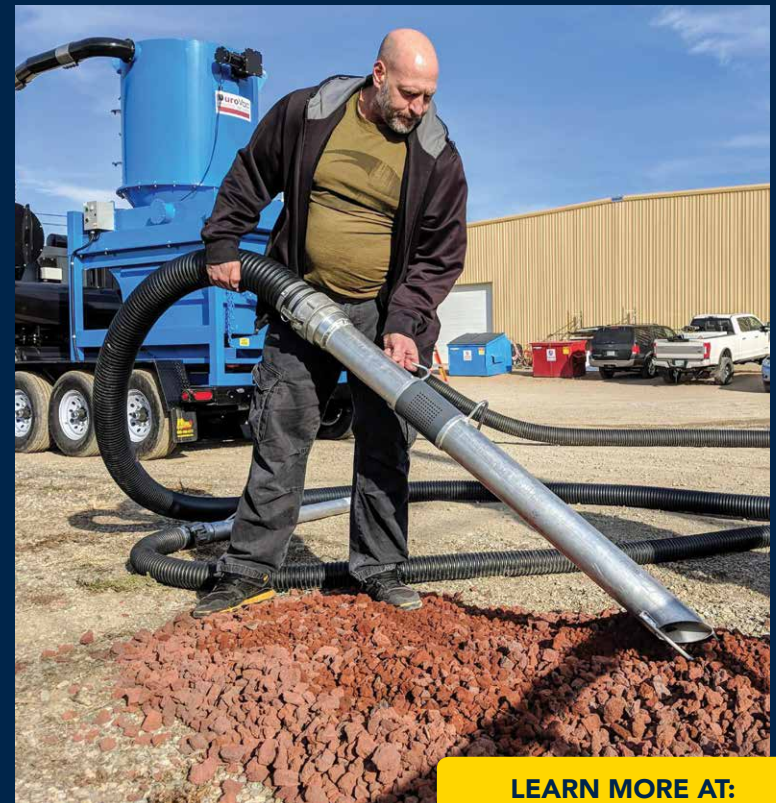
Industrial Vacuums for Silica Laden Dust

The Lifetime line of industrial vacuums is composed of four models: LTS 85, LTP 85, LTS 3 and the LT 110.

All vacuums are engineer-controlled and comply with OSHA's silica regulations. HEPA comes standard with 99.97% filtration for worker safety.



140hp Diesel Engine/Trailer-Mounted Industrial Vacuum for Potash



**LEARN MORE AT:
www.durovac.com**