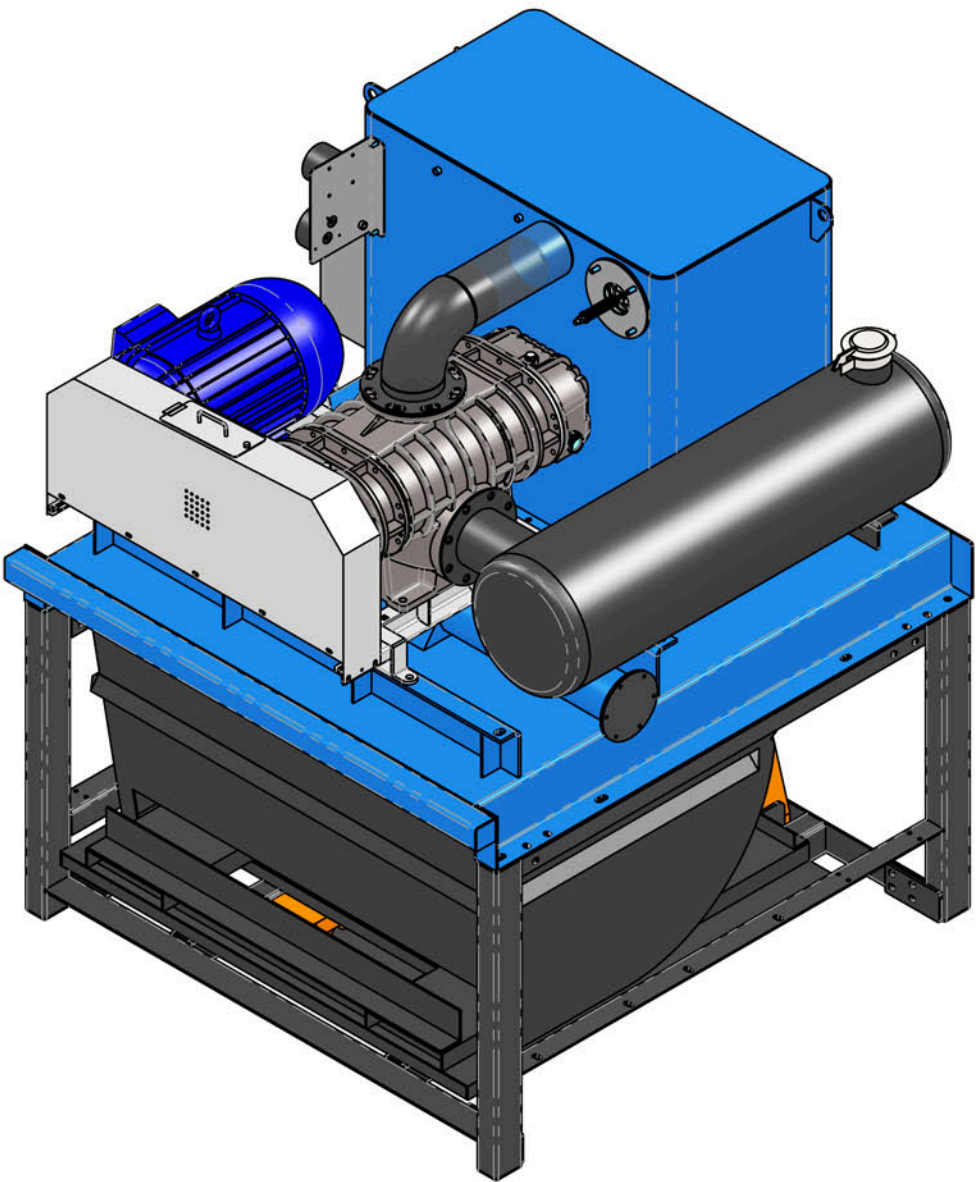
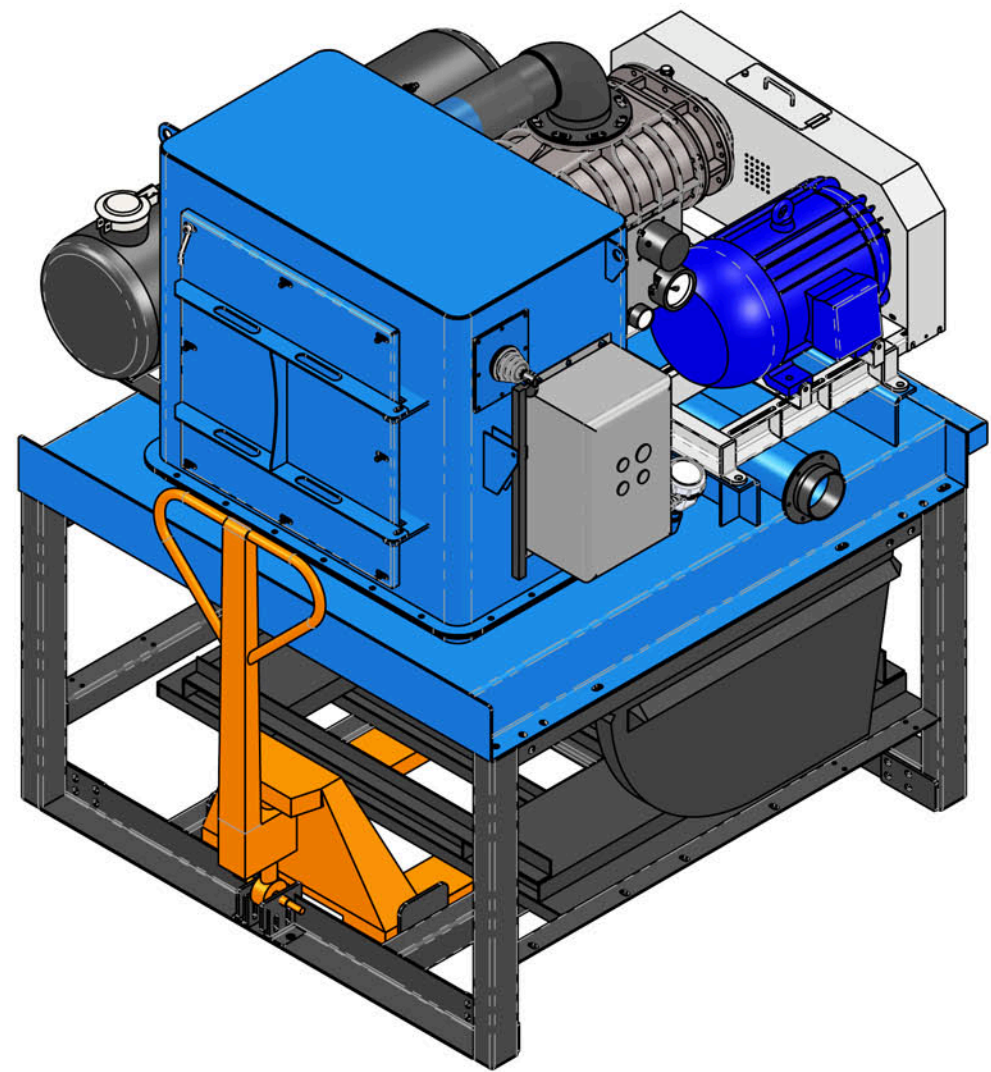


MOTOR	INLET m3/hr (CFM)	VACUUM - millibar (Inch Hg)	WEIGHT Kg (lbs)
22.5 Kw / 30 Hp	1057 (622)	490 (14.4)	1775 (3900)
30 Kw / 40 Hp	1452 (855)	490 (14.4)	2000 (4400)



NORTHWIND AIR SYSTEMS
 3-6175 TOMKEN RD
 MISSISSAUGA ON L5T 1G1
 Phone 905-624-4003 Fax 905-696-7359
 WWW.DUROVAC.COM

GENERAL SPECIFICATIONS:

1. UPTO 1452 m3/hr @ 490 millibar (855 ICFM @ 14.4" Hg.) MAX CONTINUOUS
2. ROOTS TYPE TRILOBE VACUUM PRODUCER
3. 9.3 m2 (100 Sft) FILTER MEDIA, PTFE POLYESTER WITH 99.9% @ 0.5 MICRONS, STANDARD
4. EFFECTIVE FILTER CLEANING MECHANISM WORKS WITHOUT COMPRESSED AIR
5. HEPA FILTER TO PROTECT VACUUM PRODUCER AND ENVIRONMENT
6. HEAVY-DUTY STEEL FRAME
7. EXCLUSIVE ABRASION "PROOF" INLET
8. 1.13 m3 (1.5 Cubic Yard) MATERIAL STORAGE HOPPER

PAINT SPEC:
 EQUIPMENT COLOUR - RAL 5015 BLUE
 Note - All dimensions are in mm (Inches)

CUSTOMER:		*
PROJECT:		FOR REVIEW
TITLE:		Powerlift ® Series, PLS 30-40 Series
SHEET SIZE:	SCALE:	THE INFORMATION CONTAINED IN THIS DRAWING IS PROPRIETARY. NO PART OF THIS DRAWING MAY BE TRANSMITTED TO OTHER PARTIES WITHOUT PRIOR WRITTEN PERMISSION FROM NORTHWIND AIR SYSTEMS OR ITS APPROVED AGENTS.
B	1:20	
SHEET 1 OF 2		
DRAWN BY:	DATE:	
Ravi	10/13/2017	
CHECKED BY:	DATE:	
KRW	10/13/2017	
DWG NO:	REV. NO:	
PLS-BHC-R1	B	

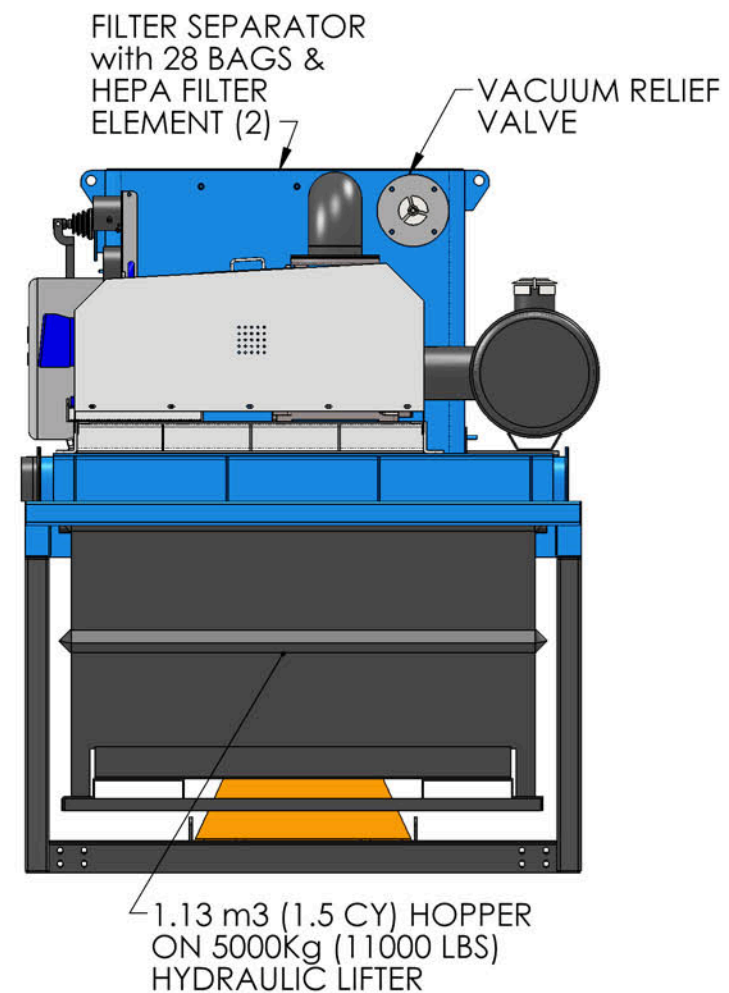
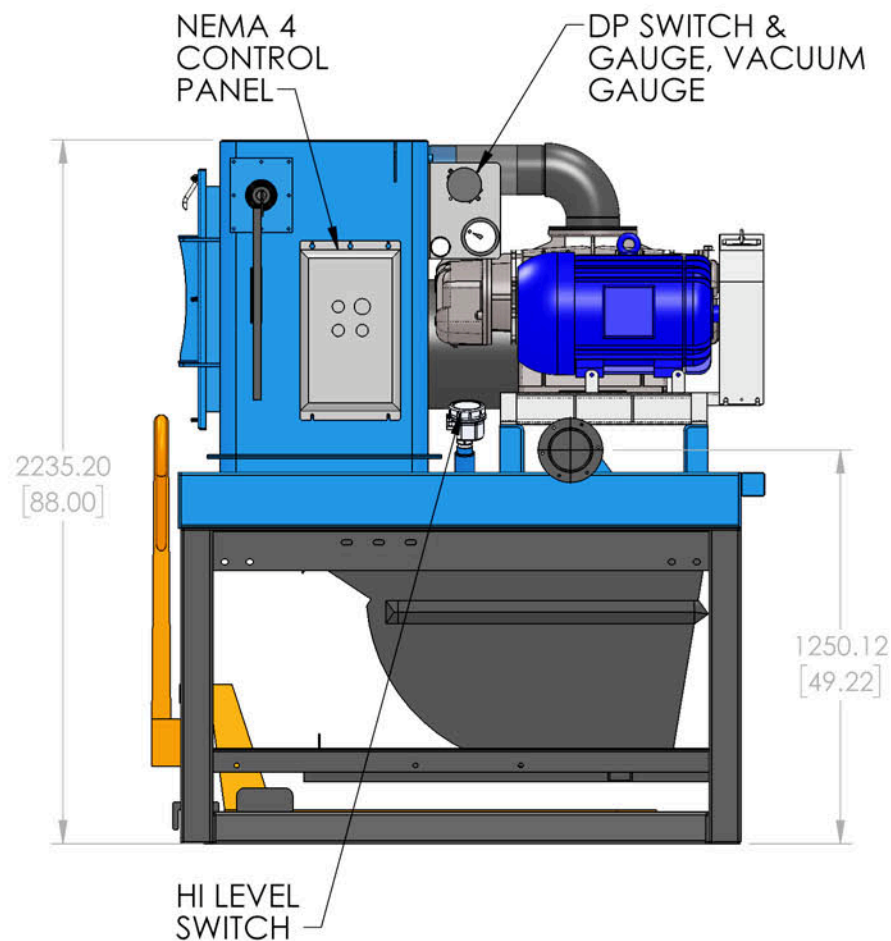
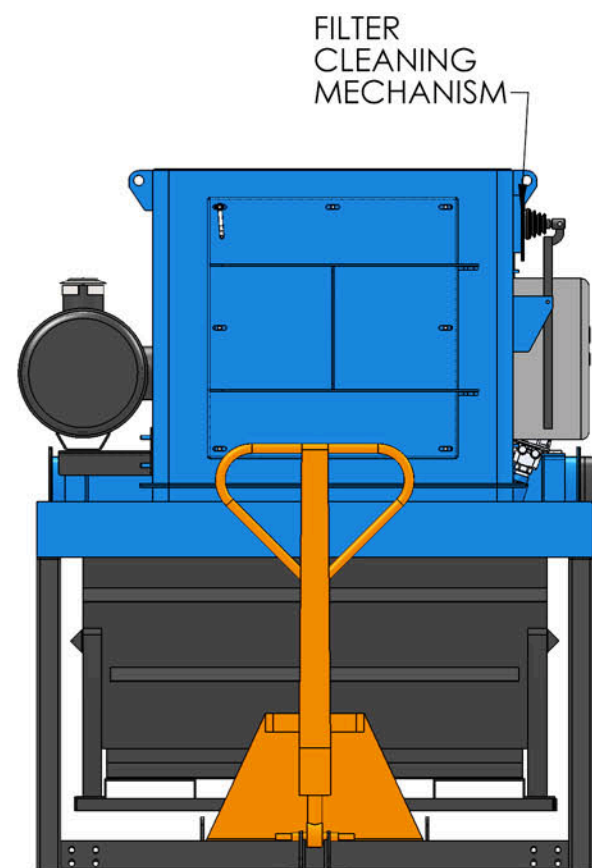
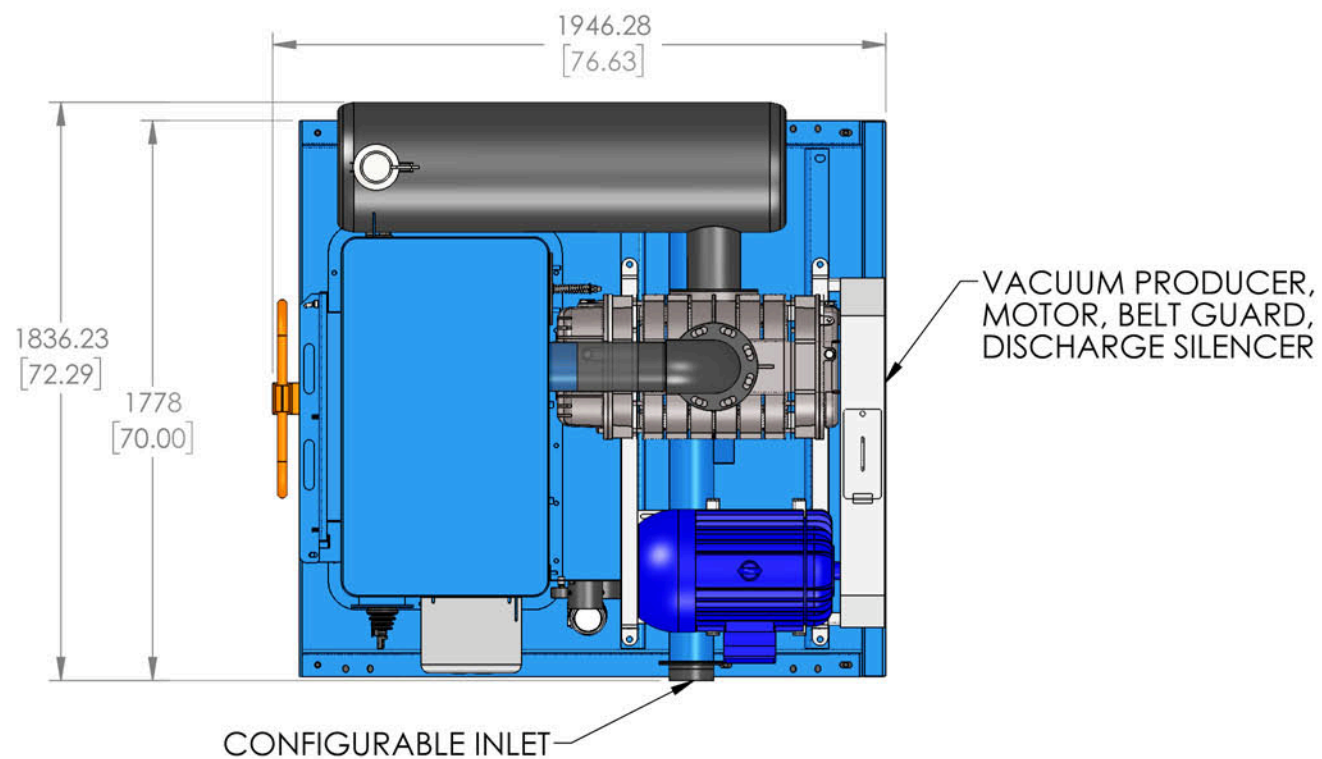
MOTOR OPTIONS	
460V-3Ph-60Hz	TEFC / IP54
575V-3Ph-60Hz	TEFC / IP54
380V-3Ph-50Hz	IE3 / IP54
415V-3Ph-50Hz	IE3 / IP54

MOTOR COMPLIANCE WITH MEPS 2/IE2 / AEM1279 / IEC60034/ AS/NZS1359.5 FOR AUSTRALIA / NZ



NORTHWIND AIR SYSTEMS

3-6175 TOMKEN RD
 MISSISSAUGA ON L5T 1G1
 Phone 905-624-4003 Fax 905-696-7359
 WWW.DUROVAC.COM



CUSTOMER:		*	
PROJECT:		FOR REVIEW	
TITLE:		Powerlift ® Series, PLS 30-40 Series	
SHEET SIZE:	SCALE:	<small>THE INFORMATION CONTAINED IN THIS DRAWING IS PROPRIETARY. NO PART OF THIS DRAWING MAY BE TRANSMITTED TO OTHER PARTIES WITHOUT PRIOR WRITTEN PERMISSION FROM NORTHWIND AIR SYSTEMS OR ITS APPROVED AGENTS.</small>	
B	1:24		
SHEET 2 OF 2		DATE:	10/13/2017
DRAWN BY:		DATE:	10/13/2017
Ravi			
CHECKED BY:			
KRW			
DWG NO:		REV. NO:	B
PLS-BHC-R1			