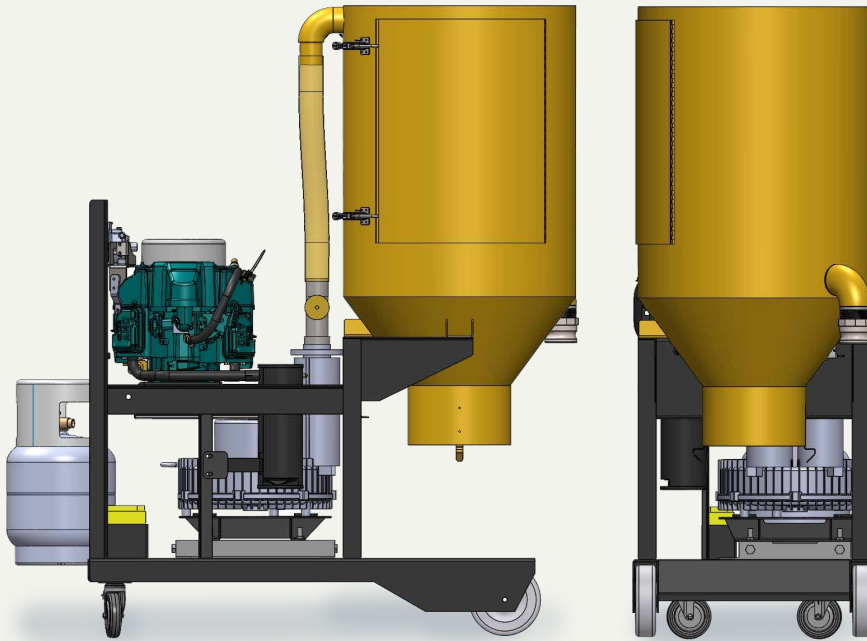


**SILICA SERIES**

# Lifetime™ LTP85 Silica Vacuum

The World's Most Durable Bagging Type Propane Vac



- Discharges collected material into an engineered control bag system.
- Filters so good they last years, not months. Low, low cost of ownership.
- HEPA filter built-in and designed for safe use with silica based materials.



The Lifetime™ LTP85 Silica Vacuum uses a Kohler EPA certified LPG engine for go-anywhere cleaning.

With upgraded steel and filters that last ten times longer than other brands, you'll get a vacuum with a low, low cost of ownership. A 14.5 Hp engine is perfect for cleaning heavy, silica-like sand even with 50 ft long hoses.

Meet OSHA laws with a rugged propane silica vac by DuroVac.



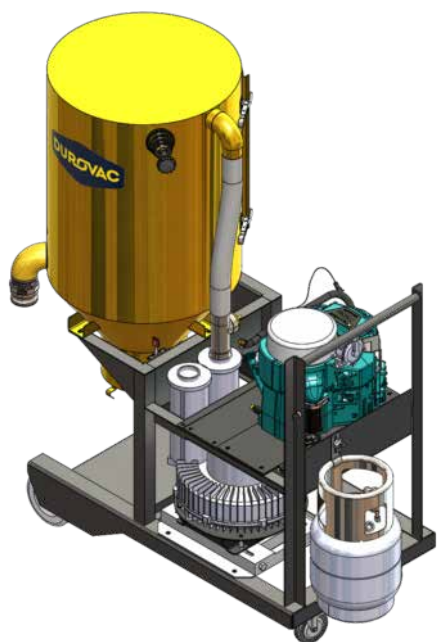
The DuroVac Lifetime LTP85 is a propane silica bagging vacuum that lasts.

**TRIPLE FILTRATION** means hassle-free operation when you're handling fine powders. At 99.9% efficiency, the primary filter media won't easily clog, so performance never drops as the hopper fills. Vacuum continuously without stopping the system to shake the filters.

- First-stage impaction separator with internal baffle plate to protect against abrasion.
- Large main filter in a baghouse-type format.
- 99.97% HEPA filter for silica safe operation.

## Specifications

|   |                         |
|---|-------------------------|
| <b>Model Number</b>                         | LTP85                   |
| <b>System Horsepower</b>                    | KOHLER 14.5 Hp EPA Cert |
| <b>Number of Hoses</b>                      | 1 x 2.0"<br>Up to 100'  |
| <b>Air Flow - Inlet (CFM)</b>               | 380                     |
| <b>Vacuum (Maximum)</b>                     | 11.5" Hg.               |
| <b>Primary Filter Area (ft<sup>2</sup>)</b> | 42.2                    |
| <b>Noise Level @ 3ft (dBa)</b>              | 88                      |
| <b>Weight (lbs)</b>                         | 760                     |



**Silica safe operation with a tough LPG vacuum that just keeps on working.**

Designed from the ground up to ensure the longest lasting filtration system, the LTP85 has more than double the primary filter area of any other vacuum in its class.

[sales@durovac.com](mailto:sales@durovac.com)